

Radial piston pumps 500

Type BRK501/502

light version

500 bar

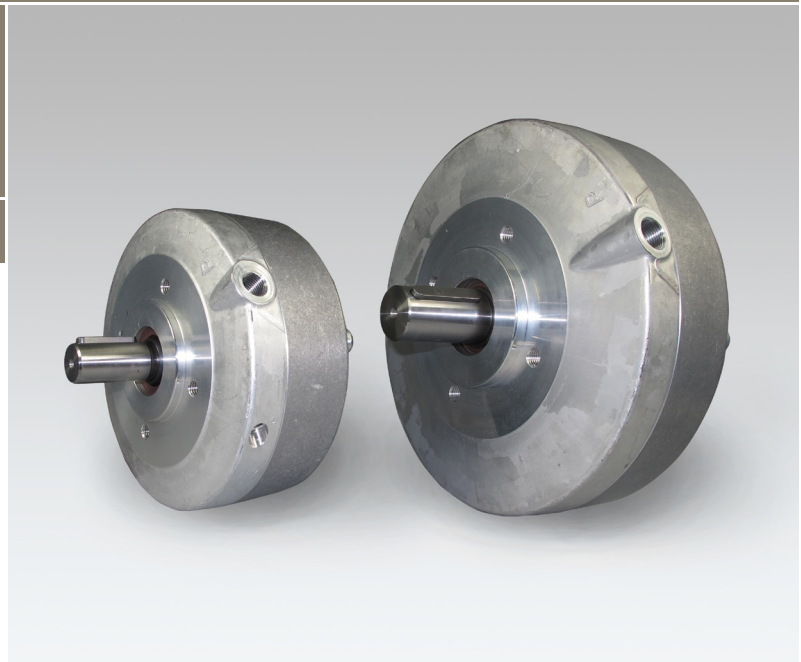
0,24 to 8,14 cm³/rev

700 bar → see data sheet BRK701/702

1000 bar → see data sheet BRK11/12

Features

- High volumetric efficiency
- Self-priming and venting
- Low pulsation
- Low noise level
- Combination with gear pump possible (see separate data sheet BKP)

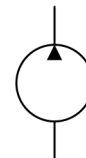


Design

- Radial piston pump of modular design
- With valve controlled pump elements
- Can be supplied with 3, 5, 7 and 9 pistons per face (depending on size)

Applications

- Machine tools
- Clamping device
- Power units (e.g. for presses)
- Accumulator charging systems
- Lifting systems
- Hydraulic tools
- Not suited for pulsation



Technical data

Hydraulic fluid	Mineral oil according to DIN 51524 (other fluids on request)
Fluid temperature range	-20 to 80 °C
Ambient temperature range	-30 to 50 °C
Viscosity range	5 to 220 mm ² /s
Max. operating pressure	500 bar continuous pressure (S1)
Operation pressure at suction port	-0,2 bar to 0,5 bar gauge pressure
Filtration (recommendation)	According to NAS 1638 class 6 resp. ISO/DIN 4406 17/15/12
Weight	See product information
Axial force onto driving shaft	Not allowed
Radial force onto driving shaft	on request
Max. speed range	2000 min ⁻¹
Direction of rotation	Any
Suction height	Max. 500 mm
Material	Pressure flange: hot forged aluminium Driving shaft: steel Cover: aluminium

Type BRK501/502

light version

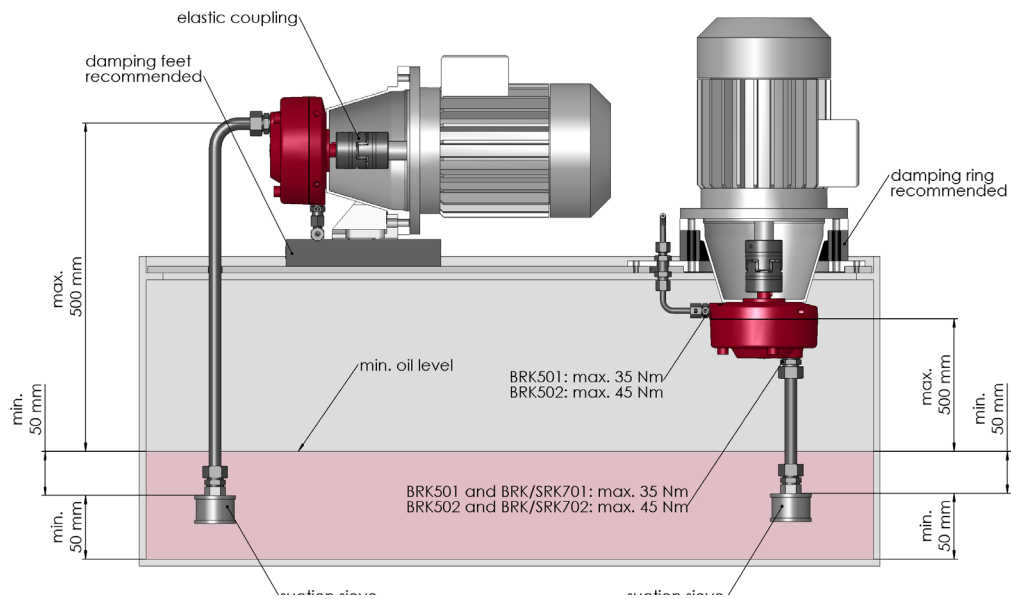
500 bar

0,24 to 8,14 cm³/rev

Ordering code

Example	BRK	501	-	0,24	-	500	-	V	-			00
Radial piston pump												
Size	501 502											
Displacement [cm³/rev]	see product information											
Max. operating pressure [bar]	see product information											
Seal material	V [FPM] other seal materials on request											
Special design 01 ... 99 (00 for standard)												
Part index Please leave it blank (small letters a-z; different letters do not effect interchangeability)												
Design revision see dimension drawings (capital letters A-Z; identical letters equal same connecting dimensions)												

Mounting



Product information

Size	Displacement [cm ³ /rev]	max. Operating pressure [bar]	Number of pumping elements	Weight ca. [kg]	max. Torque * [Nm]	max. Power * [kW]	Part No.
501	0,24	500	3	3,9	2,46	0,39	3829341**
501	0,34	500	3	3,9	3,54	0,56	3829342**
501	0,47	500	3	3,9	4,92	0,77	3829343
501	0,60	500	3	3,9	6,30	0,99	3829344
501	0,68	500	3	3,9	7,09	1,11	3829365
501	0,76	500	3	3,9	7,97	1,25	3829367
501	0,94	500	3	3,9	9,84	1,55	3829368
501	1,13	500	5	4,4	11,48	1,80	3829369
501	1,21	500	3	3,9	12,60	1,98	3829370
501	1,31	500	3	3,9	13,72	2,15	3829372
501	1,53	500	3	3,9	15,95	2,50	3829373
501	1,88	500	3	3,9	19,69	3,09	3829374
501	2,01	500	5	4,4	20,40	3,20	3829375
501	2,54	500	5	4,4	25,82	4,06	3829376
501	2,71	500	3	3,9	28,35	4,45	3829377
501	3,14	500	5	5,4	31,88	5,01	3829378
501	3,56	500	7	5,7	35,79	5,62	3829380
501	4,52	400	5	5,4	36,72	5,77	3829384
501	6,33	250	7	5,7	31,82	5,00	4000810
502	4,52	500	5	9,0	45,90	7,21	3829387
502	5,65	500	9	9,8	56,81	8,92	3829388
502	6,33	500	7	9,4	63,63	9,99	4000894
502	7,31	500	9	9,8	73,48	11,54	3829390
502	8,14	450	9	9,8	73,63	11,57	3958951

* n = 1500 1/min; $\eta_t = 0,8$; p = p_{max}

** longer delivery time

Calculation of driving motor power

$$P = \frac{p \cdot V_g \cdot n \cdot k}{\eta_t \cdot 600 \cdot 10^3}$$

P = Driving power [kW]
 p = Operating pressure [bar]
 V_g = Displacement [cm³/rev]
 n = Speed [rpm]
 η_t = Overall efficiency approx. 0,8

k = Pulsation factor

- with 3 pumping elements: k approx. 1,05
- with 5 pumping elements: k approx. 1,0
- with 7 pumping elements: k approx. 1,0
- with 9 pumping elements: k approx. 1,0

Sealkit for BRK501	4006555
--------------------	---------

Sealkit for BRK502	4006559
--------------------	---------

Type BRK501/502

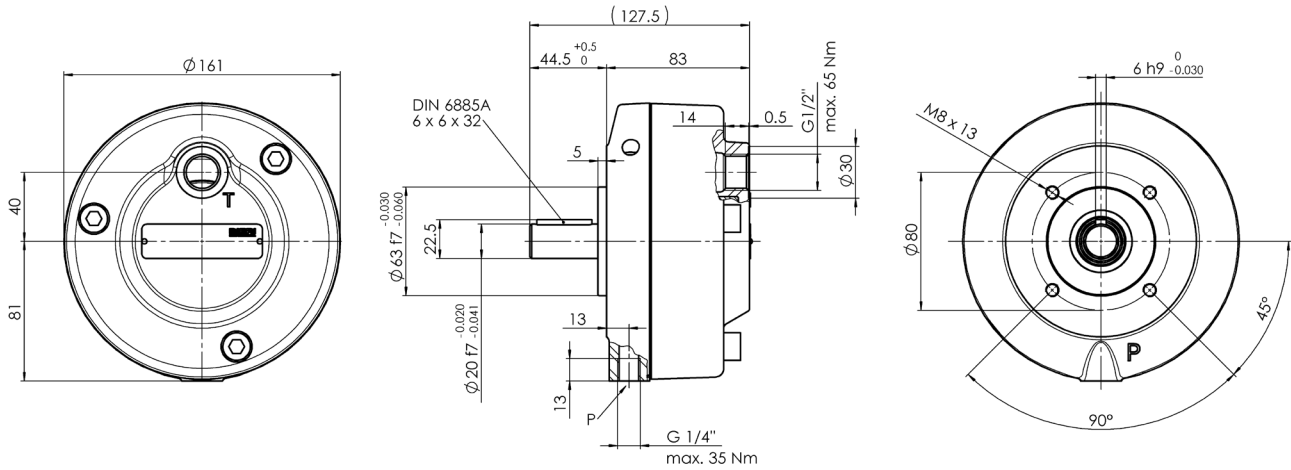
light version

500 bar

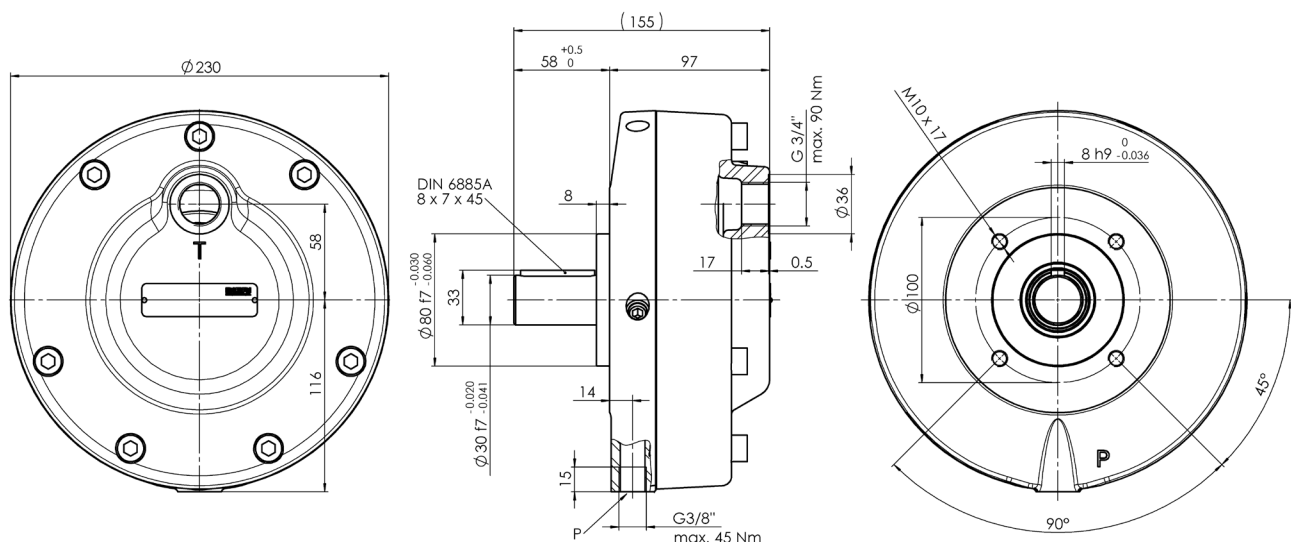
0,24 to 8,14 cm³/rev

Dimensional drawings

Size BRK501 / Design revision C



Size BRK502 / Design revision C



Bieri Hydraulik AG

Könizstrasse 274

CH-3097 Liebefeld

Tel. +41 31 970 09 09 | Fax +41 31 970 09 10

info@bierihydraulics.com | www.bierihydraulics.com

The information in this brochure relates to the operating conditions and applications described.

For applications and operating conditions not described, please contact the relevant technical department.

Subject to technical modifications.